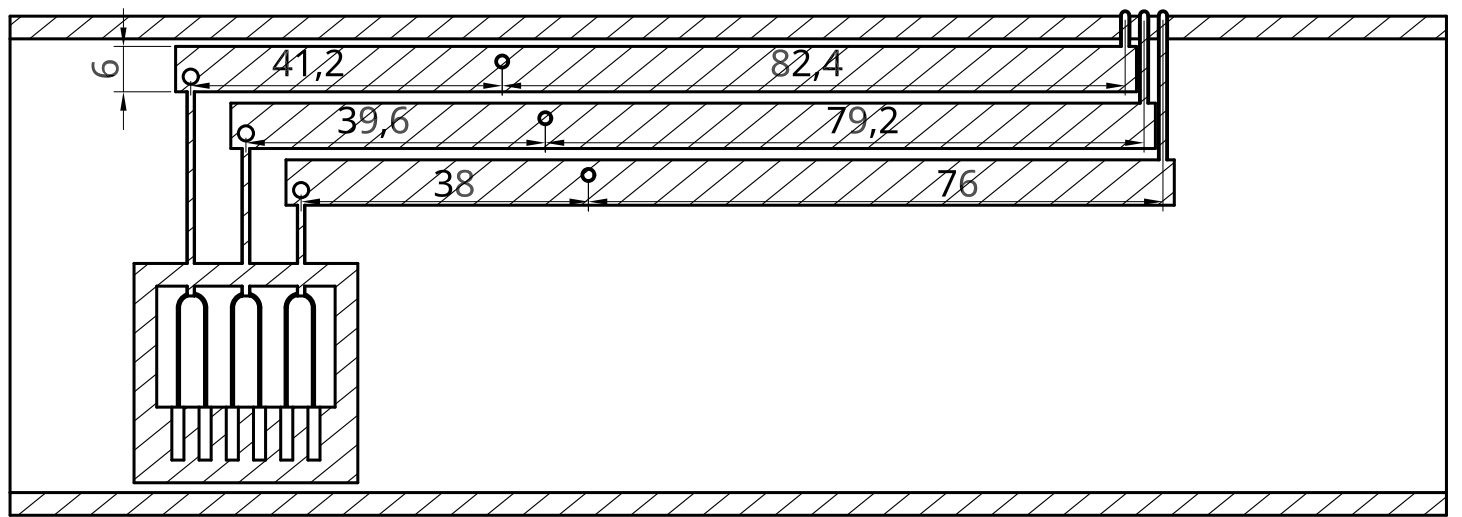


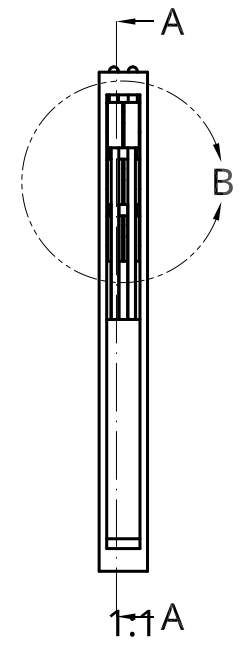
6 5 4 3 2 1

D
C
B
A

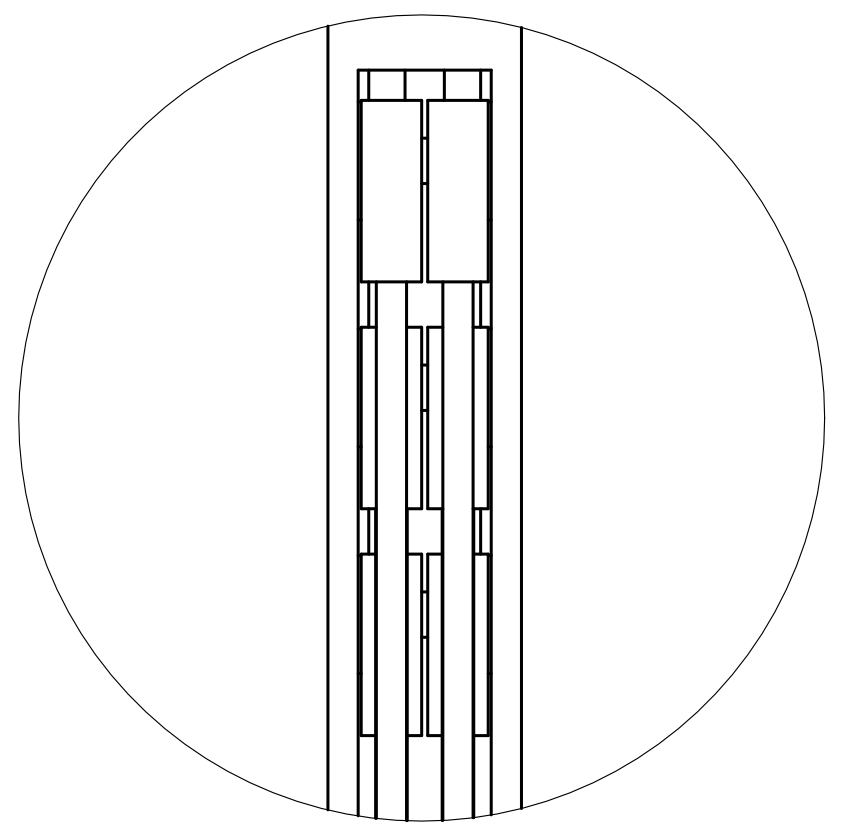
D
C
B
A



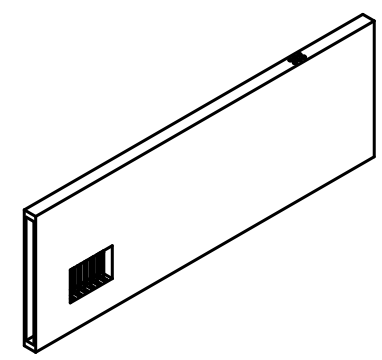
A - A
1:1



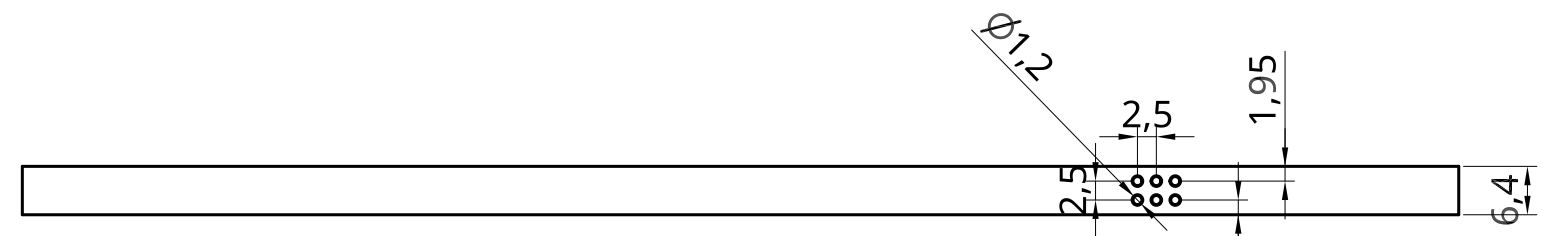
1:1 A



B
4:1



1:1



1:1

UNLESS OTHERWISE SPECIFIED, DIMENSIONS ARE IN MILLIMETERS		NAME	SIGNATURE	DATE		
ANGULAR = ± °		DRAWN	CHRISTIAN FROMENTIN	2020-04-24	TITLE	
SURFACE FINISH		CHECKED			REV.	
DO NOT SCALE DRAWING		APPROVED			SIZE A3 DWG NO.	
BREAK ALL SHARP EDGES AND REMOVE BURRS					SCALE 1:3 WEIGHT	
FIRST ANGLE PROJECTION		MATERIAL	FINISH		SHEET 1 of 1	

6 5 4 3 2 1