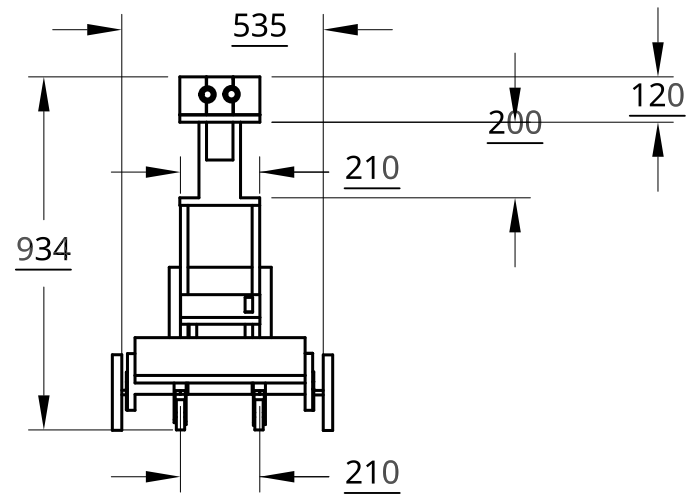
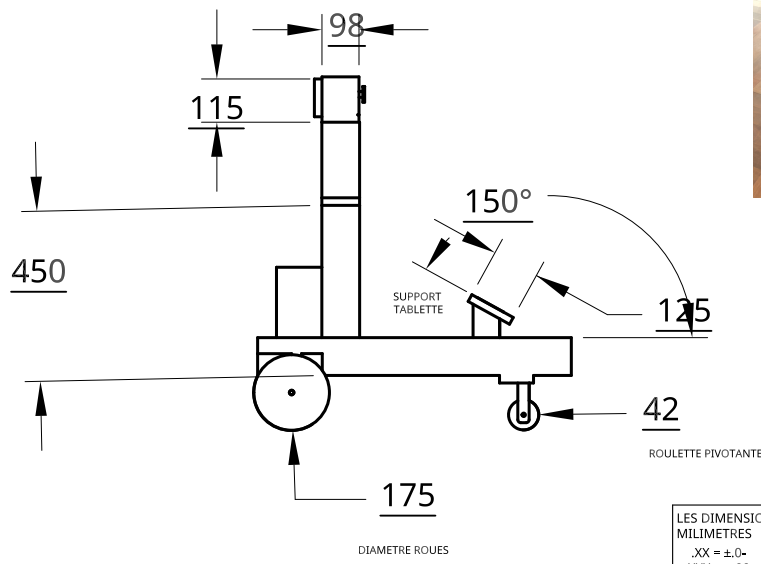
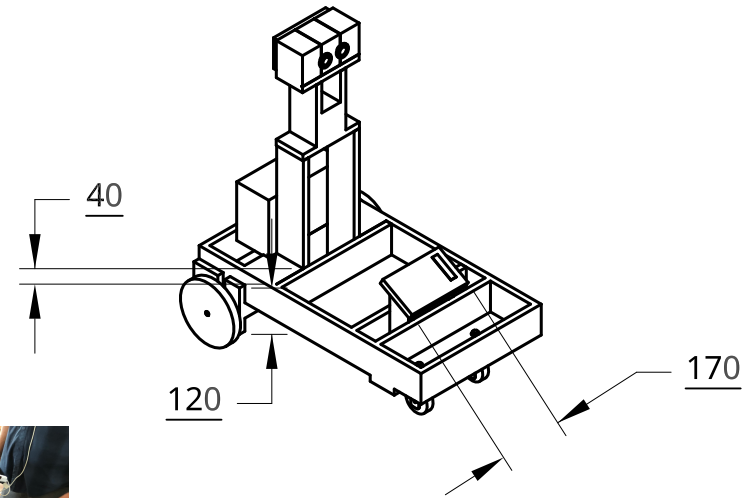
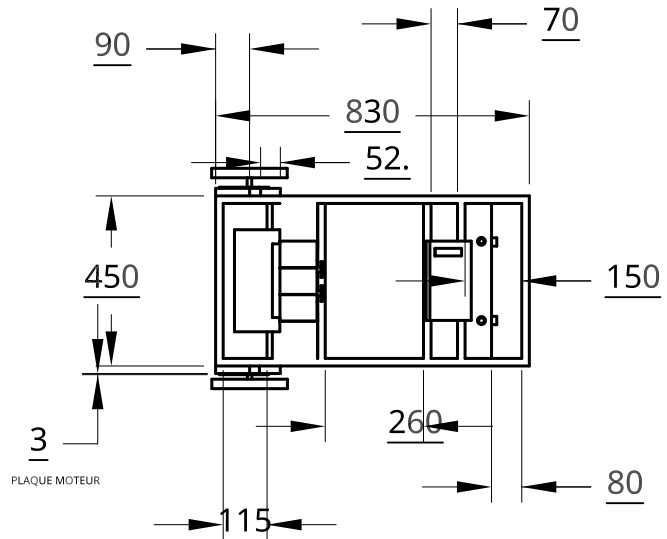


B

A



B

A

LES DIMENSIONS SONT EXPRIMES EN MILLIMETRES .XX = ±0- .XXX = ±00- .XXXX = ±000- SURFACE FINISH ✓ DO NOT SCALE DRAWING BREAK ALL SHARP EDGES AND REMOVE BURRS THIRD ANGLE PROJECTION		NAME SEBASTIEN.L	DATE 06/13/2019	TITLE ROBOT CONTEUR HISTOIRE	
ANGULAR = ± ° FRACTIONAL = ±		DRAWN	CHECKED	APPROVED	SIZE A
		MATERIAL BOIS PALETTE	FINISH	SCALE 1:20	DWG NO.
				WEIGHT	REV. 1 of 1
				SHEET	

2

1